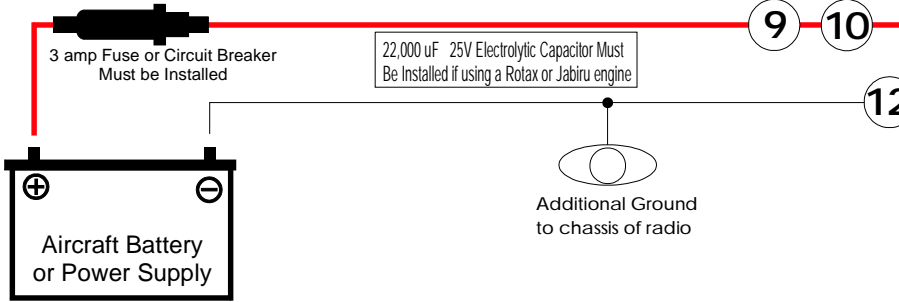
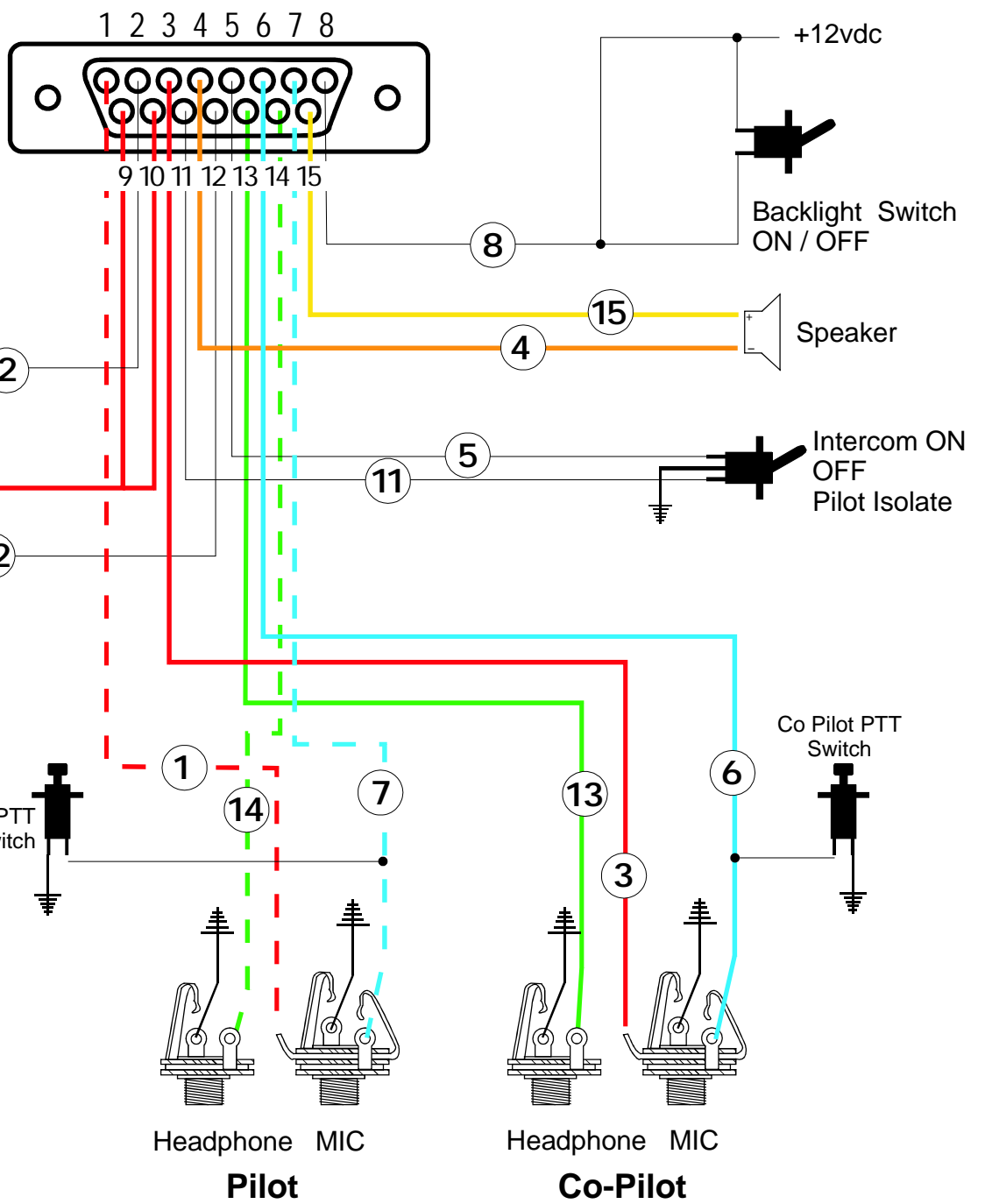


- 1 Electret, Amplified Dynamic Pilot Mike
- 2 Music Aux Audio Input
- 3 Electret, Amplified Dynamic Co Pilot Mike
- 4 Speaker Output - 4-8 Ohms
- 5 Intercom ON ground to operate
- 6 PTT Co Pilot
- 7 PTT Pilot
- 8 LED Backlight +12V
- 9 Positive 12 Volts
- 10 Positive 12 Volts
- 11 Pilot Isolate
- 12 Negative Ground
- 13 Headphone Output Co Pilot
- 14 Headphone Output Pilot
- 15 Speaker Output + 4-8 Ohms



XCOM Radio Wiring Diagram

NOTES
 When using Electret or Amplified Dynamics you must use individual inputs (1 and 3). Do not parallel more than one per input.

Speaker now has a separate negative lead - do not ground the speaker as damage will result in the radio speaker amplifier!

22,000 uF 25V Electrolytic Capacitor Must Be Installed if using a Rotax or Jabiru engine

XCOM Radio wiring diagram V3 Copyright 2009 XCOM Avionics